



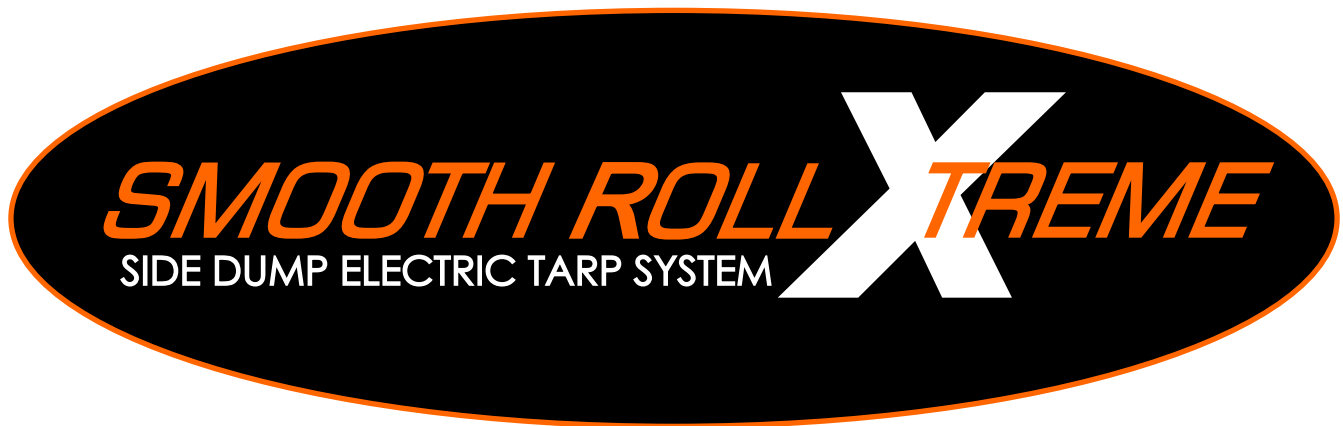
**SIoux CITY TARP, Inc**

*Family-Owned Since 1973*

# *Smooth Roll Xtreme*

*by Sioux City Tarp*

## Installation Instructions & Parts List



Attention Dealers: Please give this owners manual to the customer when the product is delivered.

Sioux City Tarp, Inc.  
5201 Harbor Drive  
Sioux City, IA 51111

**Custom-Built Tarps**  
**Made in the USA**

**712-258-6939**  
SALES@SIOUXCITYTARP.COM  
WWW.SIOUXCITYTARP.COM

## IMPORTANT SAFETY INFORMATION

### EXPLANATION OF SIGNAL WORDS

- ⚠ WARNING:** Indicates a hazardous situation which, if not avoided could result in death or serious injury.
- ⚠ CAUTION:** Indicates a hazardous situation which, if not avoided could result in minor or moderate injury.

### GENERAL SAFETY MESSAGES

1. Read this entire manual and all safety messages before installing and operating this product.
2. Always wear safety glasses during installation and maintenance.
3. Keep all clothing clear of moving parts.
4. Keep everyone clear of the area.

### SAFETY MESSAGES RELATED TO SMOOTH ROLL XTREME

1. Use Caution lifting heavy components. Use more than one person and/or proper equipment to handle components.
2. Use Caution while installing the swing arms which will be under extreme spring tension. Arms may rotate unexpectedly.
3. Use OSHA approved ladders or scaffolding to work above ground level. Be sure that your working platform is secure as you work on the truck.
4. Properly fasten all components. If not properly secured components may come loose.

### IMPORTANT

Contains information critical to installation, operation, maintenance or warranty policy.

- ⚠ NOTICE:** Is used to address practices not related to physical injury. Risk of product or vehicle being damaged.
- ⚠ NOTE:** Contains information critical to the installation or operation of this product.



| MAINTENANCE INSTRUCTIONS   | OPERATION INSTRUCTIONS  |
|--|---|
| <ul style="list-style-type: none"> <li>• Refer to Maintenance Sheet or Website.</li> <li>• Repairs must ONLY be made after proper instruction.</li> <li>• Spring tension must be properly released before repairs.</li> <li>• Replace damaged or broken parts. Keep path of arms clear.</li> </ul> | <ul style="list-style-type: none"> <li>• Refer to Operations or Website.</li> <li>• Only drive with tarp fully covered or uncovered position.</li> <li>• Routinely inspect tarp and arms and replace if damaged.</li> </ul> |

|   |  |
|---|--|
| ⚠ WARNING   | ⚠ CAUTION  |
| <p>Springs and arms are under extreme tension. DO NOT stand in the path of the swing arms.</p> <p>Broken or damaged components could cause death of serious injury.</p> <p>DO NOT stand in the path of the front/rear swing arms or injury could occur.</p> | <p>DO NOT operate when tarp or system is damaged.</p> <p>DO NOT dump while covered.</p> <p>Tarp MUST be fully covered or uncovered before driving.</p> |

712-258-6939  
 SALES@SIOUXCITYTARP.COM  
 WWW.SIOUXCITYTARP.COM

## HOW TO MAINTAIN YOUR SMOOTH ROLL XTREME

**IMPORTANT:** Replace all worn or broken parts immediately. Repairs must **ONLY** be made after proper instruction.

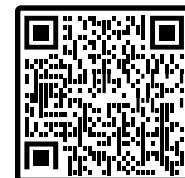
Minimal maintenance is required for the *Smooth Roll Xtreme*. Individual usage and operating conditions will determine when to check the *Smooth Roll Xtreme*.

Sioux City Tarp recommends regular inspection of your *Smooth Roll Xtreme* System.

Replacement Parts and instructions may be obtained from Sioux City Tarp or one of Sioux City Tarp's dealers.



For a installation videos or to view a digital copy of this catalog, visit our website:



# GETTING STARTED

## IMPORTANT:

**PLEASE READ MANUAL THOROUGHLY AND COMPLETELY.**

This manual explains how to install, operate and maintain the *Smooth Roll Xtreme* Systems safely.

## WARNINGS, CAUTIONS, NOTES AND HINTS:

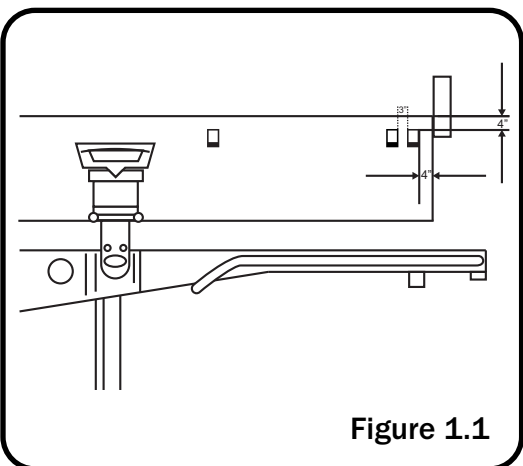
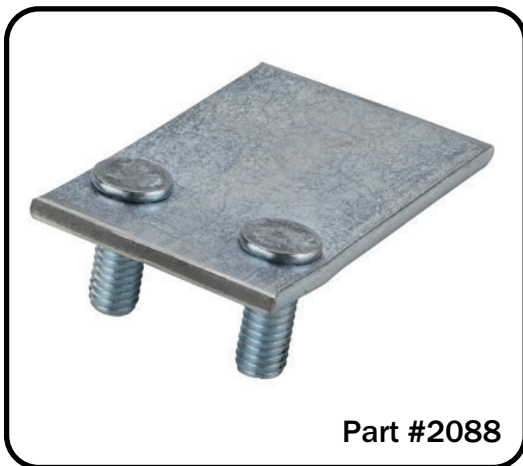
This manual is available for your safety and assistance while installing your new *Smooth Roll Xtreme* System. There are two levels of steps found in this installation manual. The primary steps are found in **BOLD AND ALL CAPITALS LETTERS**. Followed by secondary steps in regular font.

## TYPES OF SYSTEMS ORDERED:

There are two types of tarping styles:

1. Having the tarp inside the tub; you can have either mesh, vinyl or ballistic tarp material with this style of tarping.
2. Having the tarp stay on the bulkhead of the trailer. Some have a large bulkhead so that you will not need to have an extension from the factory to allow the tarp ride on the bulkhead properly. The tarp can be mesh, vinyl or ballistic as well.





## 1. INSTALLATION OF FIXED SIDE TARP MOUNTING BRACKETS

### PARTS NEEDED:

Tarp Cradle Mounting Bracket 2071 (7)  
Hinge Weldment 2088 (2)

**\*NOTE: SOME TRAILERS MAY ALREADY HAVE THESE ON THE TRAILER. IF SO, CHECK THAT ALL STOPS ARE IN GOOD CONDITION. IF ANY STUDS ARE BROKEN OFF ON FIXED SIDE TARP MOUNTING BRACKET, PLEASE REPLACE. THIS IS WHAT MAINTAINS YOUR TARP SECURITY AND IN PLACE WHEN MOVING THE TARP FROM OPEN TO CLOSE POSITIONS. (PER THE HINGE WELDMENT). IF ALL ARE OK, PLEASE PROCEED TO STEP 2.**

1. To achieve proper spacing of the fixed side tarp mounting brackets, place all the brackets on passenger side of the trailer. To mark for the front and rear brackets, mark them 4" in from the tub and 4" down from the bottom of the side rail using part number 2071. Then, looking at tub left to right place a second weldment 3" in and 4" down for extra support for tension on front and rear of the tub.

**SEE FIGURE 1.1**

2. Measure and spread out the remainder of the mounting brackets evenly. Part numbers 2071 and 2088.

**\*NOTE: REFER TO FIGURE 1.1 FOR PROPER ORDER OF ALL BRACKETS. PART NUMBER 2088 IS TO BE MEASURED 5" DOWN FROM THE BOTTOM OF THE SIDE RAIL TO KEEP ALL CLAMPS EVEN.**

3. Remove all paint and dirt that will cause bad welds to be made on the tub of the trailer and have a good ground for all (9) of the tarp mounting plates.

4. Weld all plates in place.

5. Prime and paint all brackets when cooled with tub color.

**2. INSTALLING THE TARP MOUNTING BRACKETS (UNIVERSAL)**

**PARTS NEEDED:**

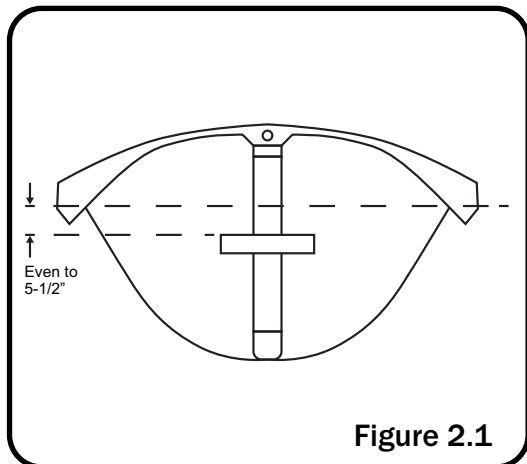
- Tarp Mounting Bracket (Universal) 2094 (2)
- Tarp Mounting Bracket Weldment (4)
- 1/2" x 1- 1/8" cap screws (8)
- 1/2" Nylon lock nuts (8)
- 1/2" Flat washer (8)

**\*NOTE: THE PLACEMENT OF THE TARP MOUNTING BRACKET (UNIVERSAL) IS VERY IMPORTANT FOR SAFETY AND OPTIMAL PERFORMANCE OF THE SMOOTH ROLL XTREME SYSTEM.**

1. Put the assembly on the end of the tub and place it 5 1/2" below the tube side rail. Center with the cylinder and side-to-side. Make sure that the bracket is level with the trailer. Once it is level, mark, grind and remove all paint and dirt for welding of the mounts, with a good ground on the trailer.

**SEE FIGURE 2.1**

- 2. Weld assembly on to the trailer.
- 3. Prime and paint the brackets to match tub.
- 4. Repeat on opposite end of the tub.



**Figure 2.1**

**3. INSTALLATION OF SPRING MOUNTING BRACKET**

**PARTS NEEDED:**

- Front Mounting Plate 2054
- Rear Mounting Plate 2055
- Front Pivot Plate 2069
- Rear Pivot Plate 2070
- 5/16" Nylon Lock Nut (8)
- 1/2" Nylon Lock Nut (4)
- 1/2" Flat Washer (4)

1. When installing onto the tarp mounting bracket, favor the welded studs on the back of the mounting plates towards the bottom of the tarp mounting bracket when looking at the face of the plate. The bar should be to the passenger side of the trailer.

**SEE FIGURE 3.1**

2. Place the studs in the perforated holes and lock down with 1/2" flat washers and lock nuts.

3. Repeat on other side of trailer.

**\*NOTE: FRONT MOUNTING, REAR MOUNTING AND PIVOT PLATES ARE ALREADY PUT TOGETHER WITH 5/16" NYLON LOCK NUTS WHEN FULL KIT IS ORDERED.**



**Figure 3.1**

### 4. INSTALLATION OF FRONT AND REAR ARM ASSEMBLIES

#### PARTS NEEDED:

Front Spring 2052 (Marked with a white dot.)  
Rear Spring 2053  
Front arm assembly, Straight or Offset 2048/2050  
Rear arm assembly, Straight or Offset 2049/2051  
1" flat Washer (2)  
5/16 cotter pin

1. Place front spring on the front pivot plate and place the 90 degree bent tab on the bar toward the passenger side of the tub.

2. Pick up the front arm assembly, then slide the base of the arm assembly onto the shaft.

**\*WARNING: MAKE SURE YOU HAVE FIRM AND STURDY GROUND WHEN PLACING ASSEMBLY INTO PLACE. FAILURE TO DO SO MAY CAUSE INJURY TO YOURSELF OR TO THE SMOOTH ROLL XTREME SYSTEM.**

3. Once arm assembly is slid into place, the flat washer on and follow it with the cotter pin. Spread the pin to hold arm on pivot shaft.

4. Repeat on the rear, however; do not spread the cotter pin on the rear.

You may need arm removed when attaching to pipe.



Part #2052



Part #2053



FRONT ASSEMBLY



REAR ASSEMBLY

## 5. MEASURE FOR THE ROLL TUBE AND STATIONARY TUBE

1. Once you have the front and rear arm assemblies installed, place the front and rear head assemblies on a sturdy surface and measure from front to rear of the roll tube.

**SEE FIGURE 5.1**

### Note the measurement

2. Place the roll tube on the ground and slide the pre-welded insert on one end of the roll into the other roll tube and weld the tube together.

**\*Note:** Before welding, make sure the tube is lying straight. Avoiding this will cause strain on the *Smooth Roll Xtreme* System.

3. Next, cut the roll tube to length from Step 1, then set aside until stationary tube is cut.

4. To measure for the stationary tube, determine if your tarp is on the body or on the header of the trailer. If on header, measure full length of tub. In the tub, measure full tub to determine length.

5. Make the stationary tube assembly by placing the two 1 1/4" galvanized tubes together and weld.

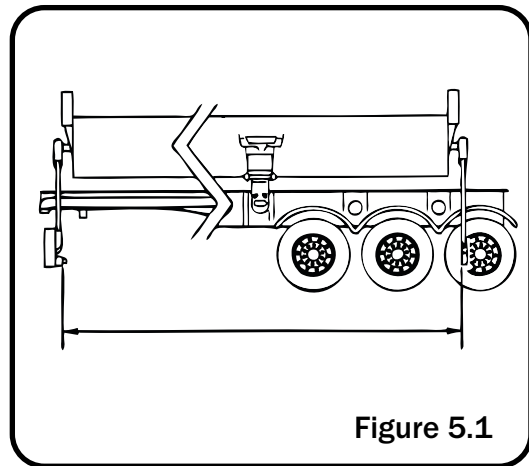
6. Mark the open ended tube for a cut that allows a smooth and even weld to the billet in the other tube.  
**SEE FIGURE 5.2**

7. Cut the tube where marked and assemble the open ended tube onto the billet. Adjust the pieces so the length of the 3" tubing is equal to the dimension determined in Step 4.

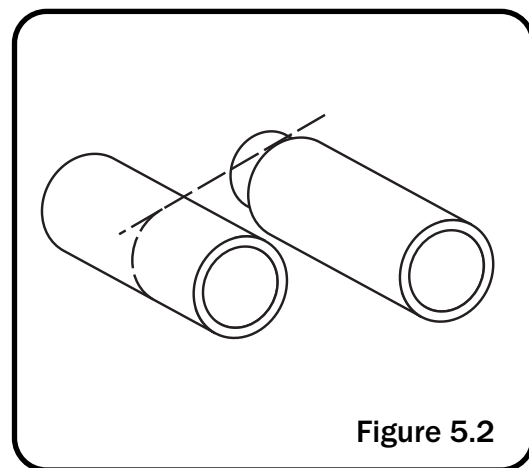
8. Weld the tubes together.

9. Cut tube to length and set aside.

10. Spread out the tarp on a flat service.



**Figure 5.1**



**Figure 5.2**

11. Insert the stationary tube and keep it flush on the front and put in a 3/4" self-tapping screw with a flat washer in the hem of the tarp. Walk to the back of the tarp and put a stretch on the tarp so all of the wrinkles are out and place the other 3/4" screw and washer in the hem.

12. Insert roll tube into the tarp and balance the tube so that it is sticking out equally on each side of the tarp. Do not place U-Clamps on the tarp at this time.



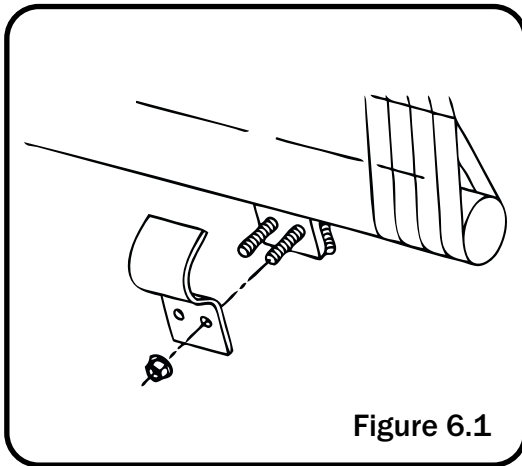
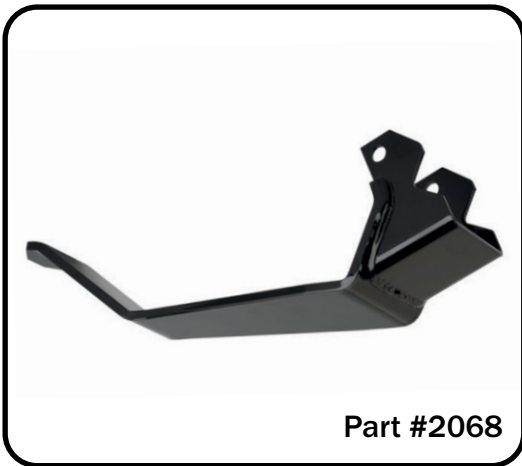


Figure 6.1



Part #2068



Part #2072

## 6. INSTALLATION OF FRONT AND REAR ARM ASSEMBLIES

### PARTS NEEDED:

- Tarp assembly (1)
- Tarp cradle 2068 (2)
- Tarp Clutch 2072 (7)
- 5/16" flange ut (14)
- 3 3/8" (2)
- 3/8" nylon lock nut (2)

1. Lift the tarp assembly onto the headers of the trailer then place the roll tube in the center of the header. Secure with clamps or hold in place.

**\*WARNING: FAILURE TO SECURE THE ROLL TUBE ON EACH END OF THE TRAILER MAY CAUSE SERIOUS INJURY OR DEATH.**

2. Center tarp according to which style you have purchased.

3. Unroll the tarp so that the stationary tube comes into position for securing the tarp on the stationary side of the trailer.

4. Secure the stationary tube to the tarp clutches with 5/16" flange uts and tarp cradles with 3"x3/8" bolts and nylon nuts.

**SEE FIGURES 6.1**

5. Once all the tarp clutches and tarp cradles are secure, roll the roll tube over to the other side of the trailer.

## 7. MOUNTING THE TARP SYSTEM

**\*WARNING: MAKE SURE TO HAVE GOOD FOOTING. SOME OF THE STEPS MAY REQUIRE TWO PEOPLE. THERE ARE AWKWARD AND SENSITIVE STEPS AND SOME HELP MAY BE REQUIRED. FAILURE TO DO SO CAN CAUSE INJURY TO YOURSELF AND/OR THE SMOOTH ROLL XTREME SYSTEM.**

### PARTS NEEDED:

U-Clamps 1104 (18)  
3/4" Self Tapping Screws 1108 (18)  
Rubber Wheels 2074 (2)  
1-1/4" 8mm Self Tapping Screws (6)  
Tarp Cradle 2068 (2) - on roll side  
Large Washers (4)  
1/2" x 2" Bolts (4)  
1/2" Flat Washer 2098 (8)  
1/2" Locknut's (4)

1. Slide the rubber wheels on front end of the tube so that it touches the tarp.

**\*NOTE: DO NOT PUT SCREWS IN YET. YOU MAY HAVE TO MAKE ADJUSTMENTS**

2. Lift the front arm assembly and insert roll tube onto the shaft of the arm assembly. Bring it flush with inside of the shaft and keep arm parallel with the trailer.

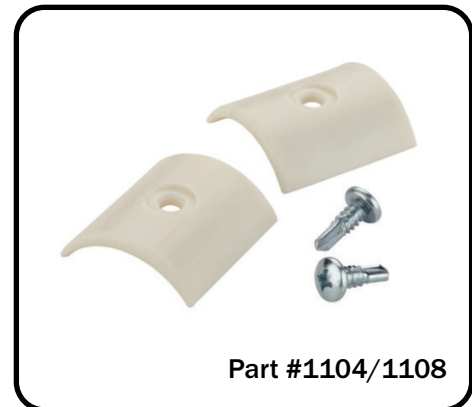
3. Go to the rear of the trailer and slide on the rubber wheel on end of roll tube as done on the front of the trailer.

4. After installing the rear arm assembly onto the mounting pivot plates, put on the flat washer and insert cotter pin and spread the pin.

5. Now that the arms are secure on the roll tube, make sure that the tarp is even on the trailer having the same amount of space on the front and back of the trailer.

6. Starting on the front of the trailer, drill the first U-Clamp and Self-tapping screw on the hem of the tarp. Place two U-Clamps and screw on the hem, one on each piece of strapping. Go to the rear of the trailer and pull all the wrinkles you can out of the tarp. Place two more U-Clamps and screws just like you have done on the front of the trailer. Put the remaining U-Clamps and screws on each seam and where there is twin belting down the rest of the tarp.

**\*NOTE: KEEP ALL THE U-CLAMPS IN A STRAIGHT LINE. THIS WILL KEEP EQUAL TENSION ON THE TARP. IF TENSION IS NOT RIGHT ON THE TARP, THEN THE TARP MAY WEAR OUT FASTER.**



7. Setting the rubber wheels: The rubber wheels should be placed next to the tarp so that they don't interfere with the lock down of the *Smooth Roll Xtreme* System. **SEE FIGURE 7.1** then drill one hole in the center of the wheel and put in the tork screw. Do the same on the opposite side of the wheel. The wheel needs to ride on the header.

8. Repeat on the rear of the trailer.

9. Install the tarp cradles on the roll side of the trailer.

**\*NOTE: THERE ARE TWO SEPARATE INSTRUCTION DEPENDING ON THE STYLE YOU WISH FOR THE TARP TO STAY WHEN IN THE "CLOSED POSITION."**

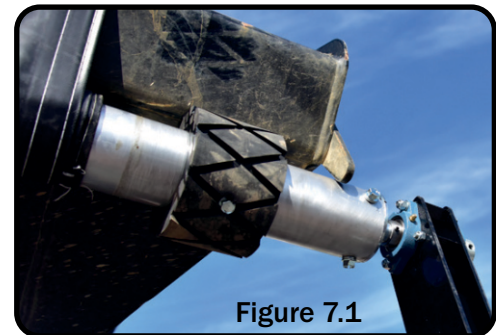
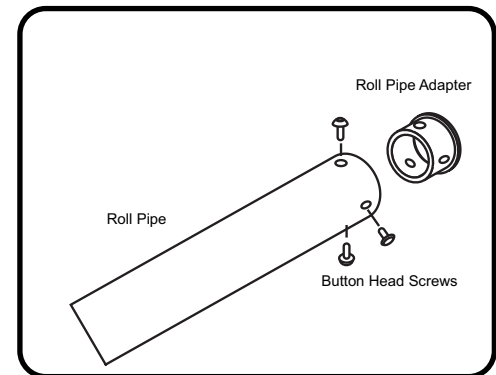
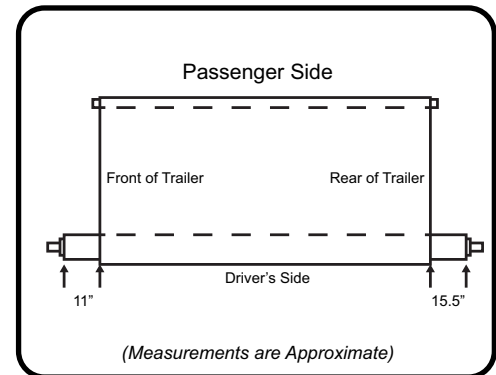
10. If the tarp is to fasten down on the top of the tub, your trailer should have studs already. If not, you will have to weld them onto the trailer. Then fasten the tub top cradles (Part #2082) to the studs on the top of the tub, roll the tarp to where you want the tarp to stop and place your hook against the roll tube. Mark where it will set and roll the tarp out of the way. Grind off all the dirt and paint out of the weld area and proceed to weld the cradle into place. Repeat on opposite end of the trailer.

11. For the tarp cradles on tarp lock down under the side rail of the tub: Roll the tarp to the closed position and place the cradles into place on the front of the tub with the bolt washers and hockey stick back plate provided.

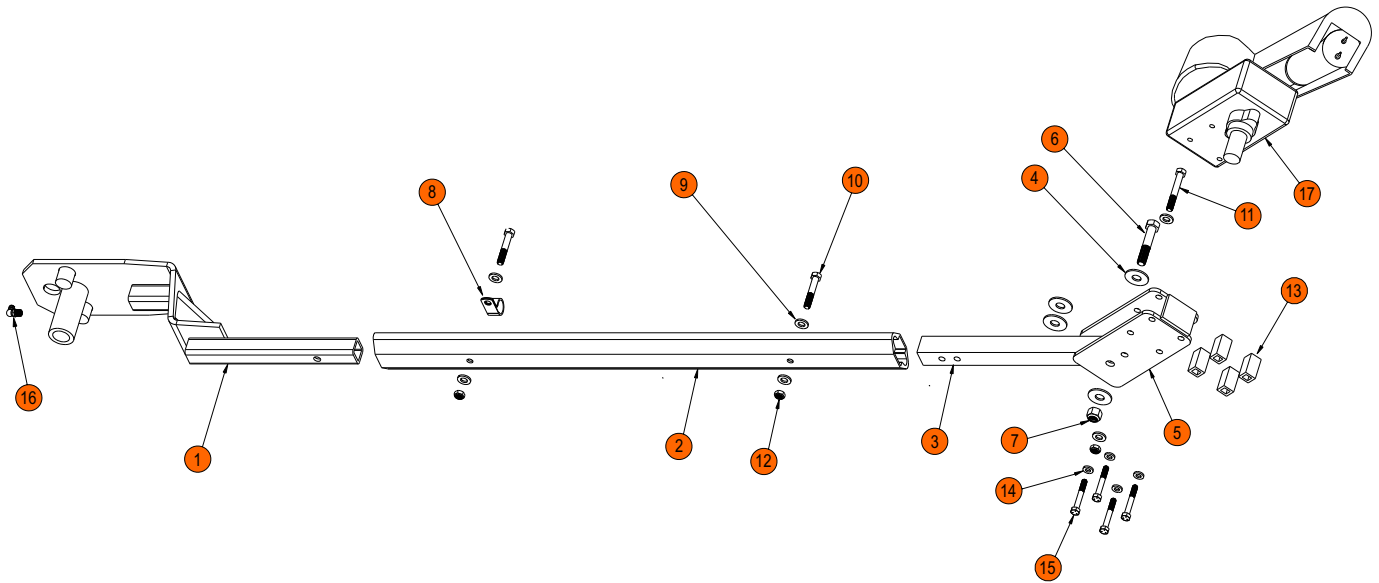
**\*NOTE: THE BACK MAY BE HIGHER ON THE BACK OF THE TUB. THIS IS DUE TO THE WEIGHT DIFFERENCE ON THE FRONT AND REAR ARM OF THE MOTOR GEAR BOXES AND ACCESSORIES ON THE FRONT OF THE TRAILER. TO TAKE CARE OF THIS ANGLE, THE CRADLE ON THE BACK TILTED DOWN MORE THAN THE BACK. THIS WILL CORRECT THE PROBLEM FOR FURTHER DETAILS IN THE TROUBLE SHOOTING, SEE THE BACK TO THIS BOOK.**

12. If your tub is not made with the proper holes, then you will need to weld cradles onto your trailer. Only tack the cradles on the tub and run it open and closed. Do this to make sure that they are in the proper place and the roll tube clears these when it is moving to the open position and into the closed position.

Now you have installed your *Smooth Roll Xtreme* System. We hope you enjoy it and come back for all your tarping needs. Thank you for your purchase of our *Smooth Roll Xtreme* System. If you have any questions, please see the trouble shooting section on the back of this book. Also, feel free to call us any time during business hours and we will be glad to help with your questions.

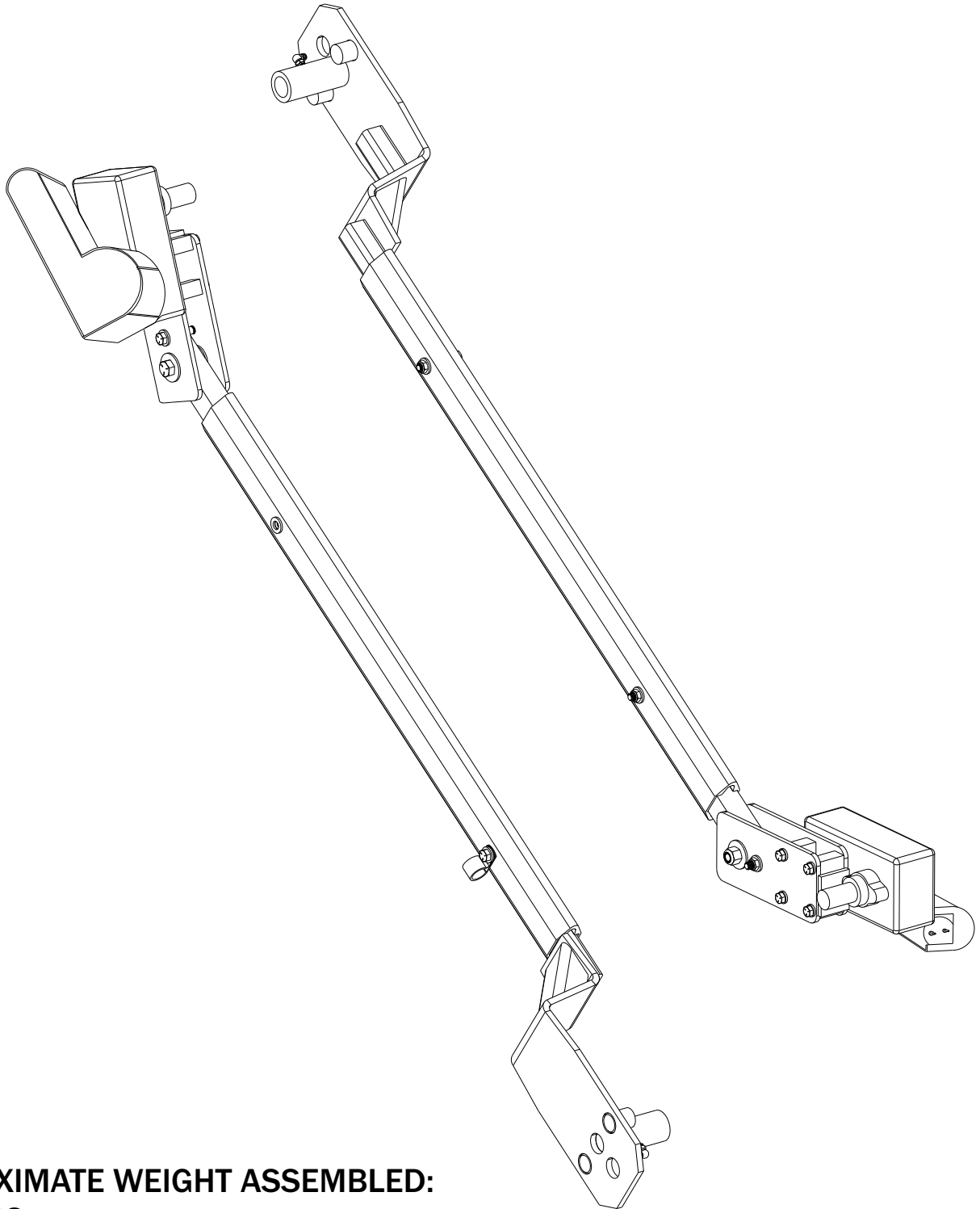


**Figure 7.1**

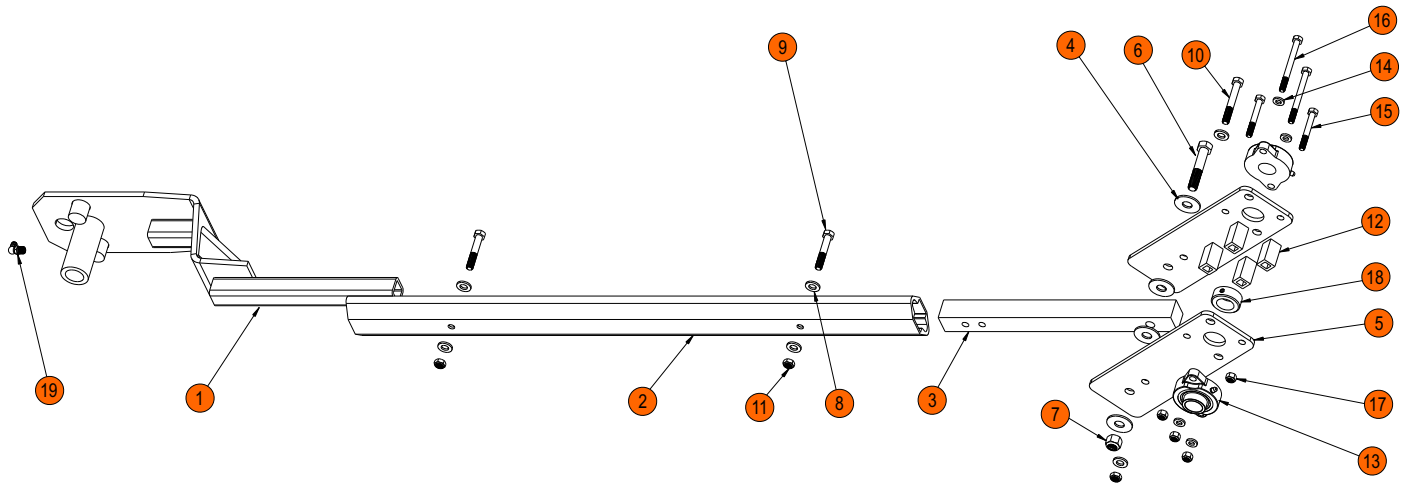


| ITEM | QTY | PART # | DESCRIPTION  |
|------|-----|--------|--|
| 1    | 1   | 2067   | OFFSET LOWER ARM PLATE FOR SMOOTH ROLL XTREME (FRONT & REAR) |
| 2    | 1   | 1264   | ALUMINUM EXTRUSION FOR SMOOTH ROLL XTREME                    |
| 3    | 1   | AA 003 | ARM BAR FOR FRONT & REAR ARM ON SMOOTH ROLL XTREME           |
| 4    | 4   | AA 006 | FENDER WASHER 1/2" FOR SMOOTH ROLL XTREME                    |
| 5    | 1   | AA 027 | MOTOR BRACKET FOR SMOOTH ROLL XTREME                         |
| 6    | 1   | AA 007 | 1/2"- 13 X 2.75" HEX HD BOLT                                 |
| 7    | 1   | AA 008 | 1/2"- 13 NYLON LOCK NUT                                      |
| 8    | 1   | AA 029 | CUSHIONED LOOP CLAMP   |
| 9    | 6   | 56116  | WASHER 3/8"  |
| 10   | 2   | AA 002 | 3/8" - 16 X 2.25" HEX HD BOLT                                |
| 11   | 1   | AA 005 | 3/8" - 16 X 2.75" HEX HD BOLT                                |
| 12   | 3   | 56117  | 3/8" - 16H17/64 NYLON HEX NUT                                |
| 13   | 4   | AA 009 | SPACER TUBE FOR SMOOTH ROLL XTREME FRONT HEAD ASSEMBLY       |
| 14   | 4   | AA 013 | WASHER 5/16"   |
| 15   | 4   | AA 028 | 5/16" - 18 X 2.75" HEX HD SELF TAPPING BOLT                  |
| 16   | 1   | AA 023 | GREASE ZERK 90 DEGREE FOR SMOOTH ROLL XTREME                 |
| 17   | 1   | 2107   | SMOOTH ROLL XTREME MOTOR ASSEMBLY                            |

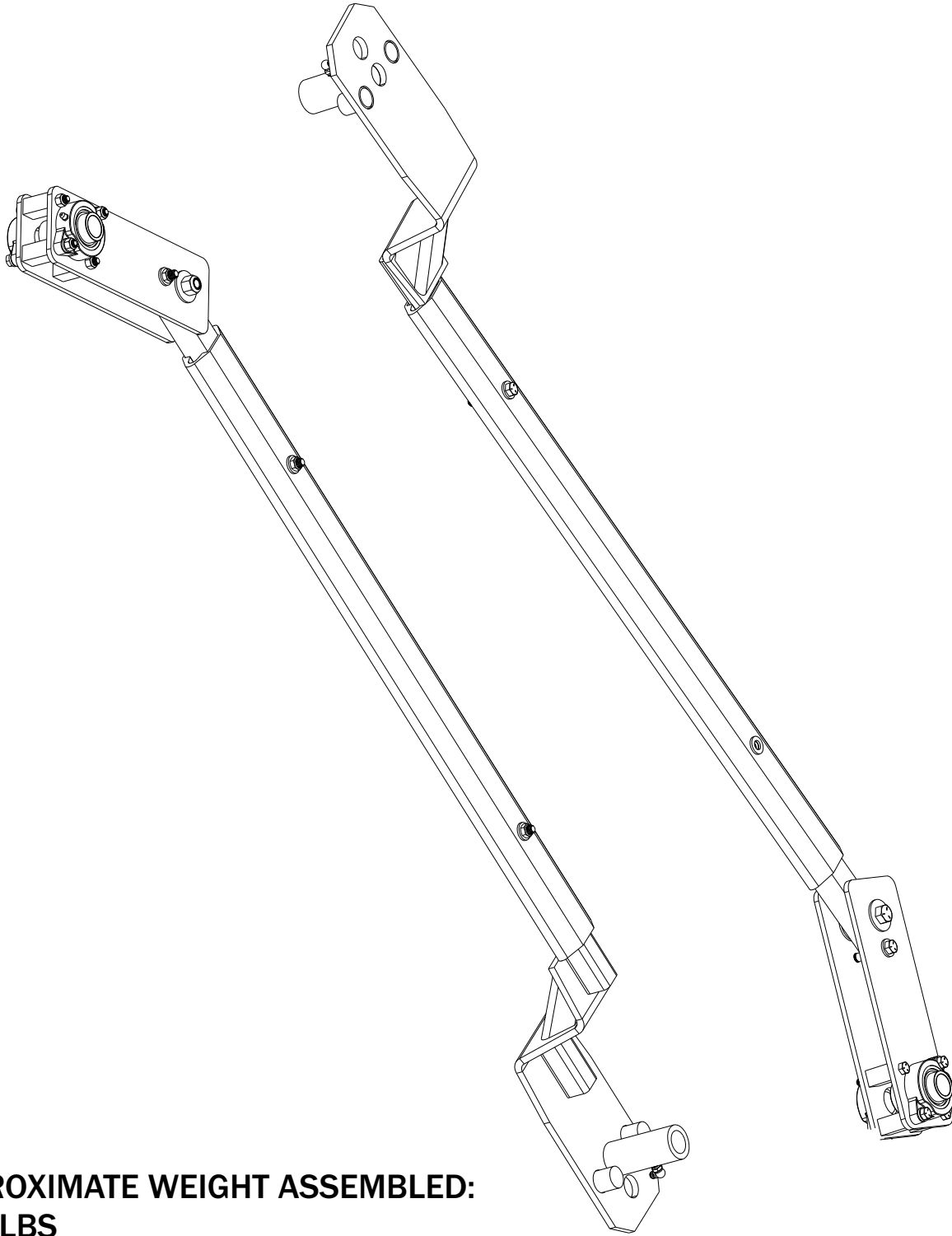
*\*Part 5 and 17 come assembled together*



**APPROXIMATE WEIGHT ASSEMBLED:  
80.9 LBS**

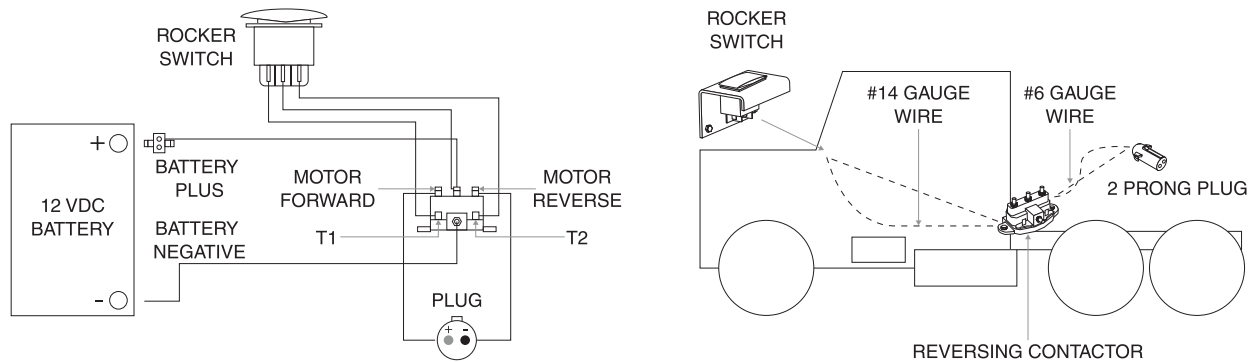


| ITEM | QTY | PART # | DESCRIPTION  |
|------|-----|--------|--|
| 1    | 1   | 2067   | OFFSET LOWER ARM PLATE FOR SMOOTH ROLL XTREME (FRONT & REAR) |
| 2    | 1   | 1264   | ALUMINUM EXTRUSION FOR SMOOTH ROLL XTREME                    |
| 3    | 1   | AA 003 | ARM BAR FOR FRONT & REAR ARM ON SMOOTH ROLL XTREME           |
| 4    | 4   | AA 006 | FENDER WASHER 1/2" FOR SMOOTH ROLL XTREME                    |
| 5    | 2   | AA 004 | REAR BEARING BRACKET for SMOOTH ROLL                         |
| 6    | 1   | AA 007 | 1/2"- 13 X 2.75" HEX HD BOLT                                 |
| 7    | 1   | AA 008 | 1/2"- 13 NYLON LOCK NUT                                      |
| 8    | 6   | 56116  | WASHER 3/8"  |
| 9    | 2   | AA 002 | 3/8" - 16 X 2.25" HEX HD BOLT                                |
| 10   | 1   | AA 005 | 3/8" - 16 X 2.75" HEX HD BOLT                                |
| 11   | 3   | 56117  | 3/8" - 16H17/64 NYLON HEX NUT                                |
| 12   | 4   | AA 009 | SPACER TUBE FOR SMOOTH ROLL XTREME FRONT HEAD ASSEMBLY       |
| 13   | 2   | 2110   | PILLOW BLOCK BEARING   |
| 14   | 4   | AA 013 | WASHER 5/16"   |
| 15   | 2   | AA 010 | 5/16" - 18 X 2.50" HEX HD SCREW                              |
| 16   | 2   | AA 012 | 5/16" - 18 X 3.50" HEX HD SCREW                              |
| 17   | 4   | AA 011 | 5/16" - 18 NYIN HX TLNT Z                                    |
| 18   | 1   | AA 015 | SHAFT BEARING RING   |
| 19   | 1   | AA 023 | GREASE ZERK 90 DEGREE FOR SMOOTH ROLL XTREME                 |

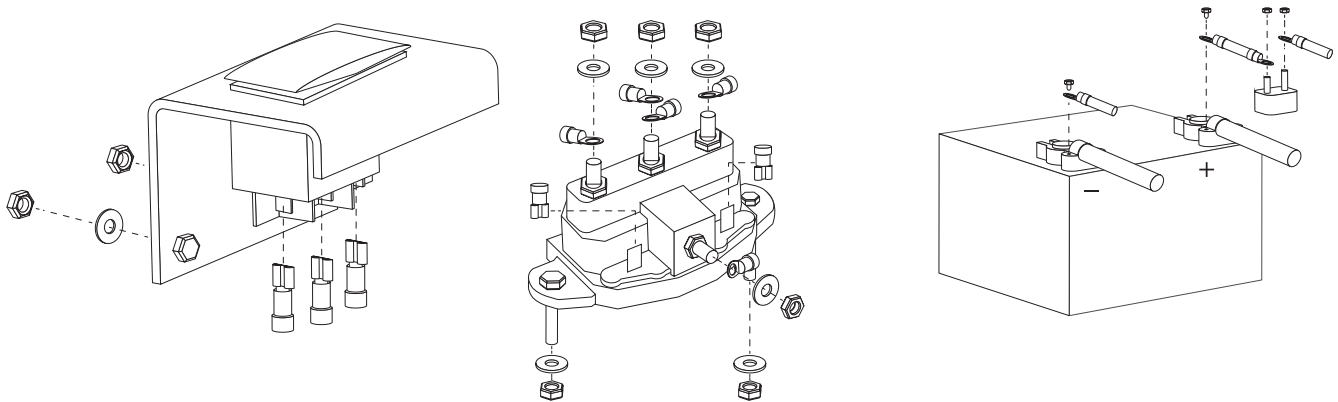


**APPROXIMATE WEIGHT ASSEMBLED:  
28.5 LBS**

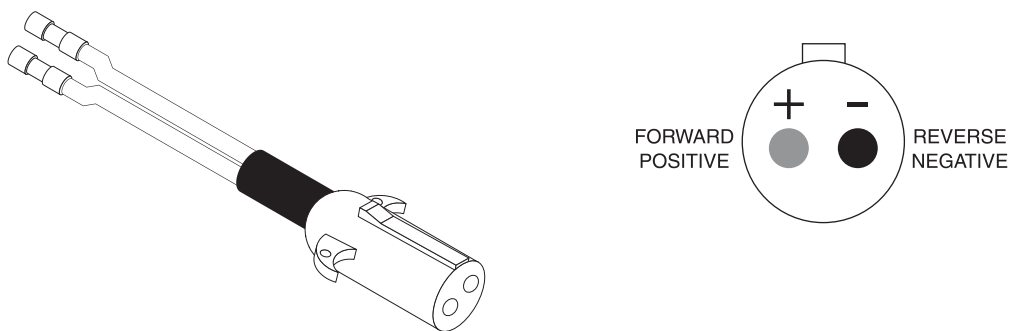
**IMPORTANT: LOCATE OPERATION/MAINTENANCE SHEET AND KEEP NEAR SWITCH.**  
**IMPORTANT: SWITCH IS NOT RATED FOR OUTDOOR USE.**



1. Find a convenient place on the driver's side under the dashboard to mount the Rocker Switch with 1/4-20 x 1" hex bolts.
2. Mount Reversing Contactor outside near back of cab with 1/4-20 x 2" hex bolts.



3. Run wire from reversing contactor. Run wire from battery to Reversing Contactor. Secure all wires with wire clamps.
4. Connect breaker to battery and secure with zip ties.



5. Run wires from Reversing Contactor to plug, making sure there is enough wire to reach the receptacle.
6. Place cover on Reversing Contactor.



**Locate Part Numbers:**

- Female Plug
- Rubber Plug Boot
- Plug Mounting Bracket
- Bolts
- Nuts
- Washers

1. On the front of the trailer, determine a good plug mounting location, whether it be on the frame above the trailer kingpin or close to the other trailer hook ups (air, hydraulics, etc.).

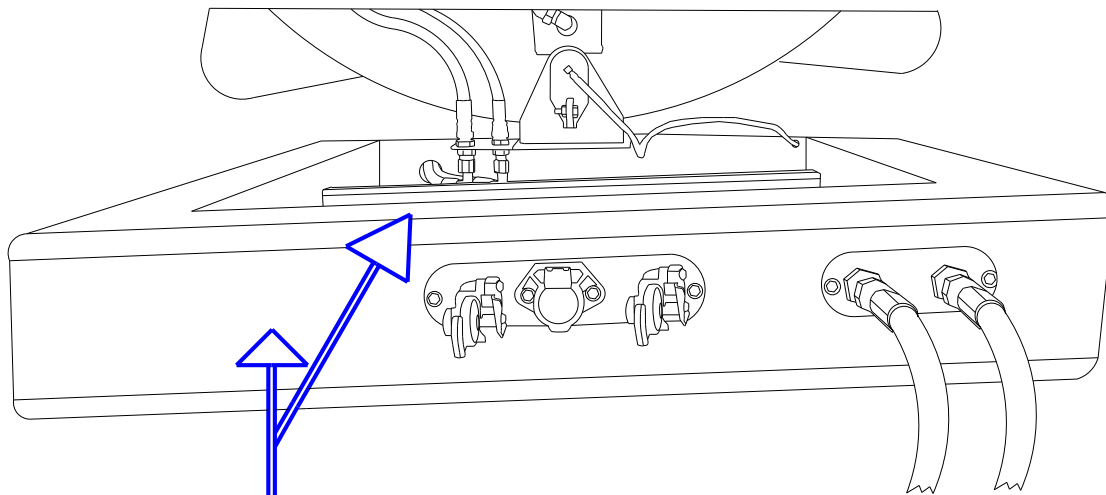
2. Some trailers already have a designated spot located on the front of the trailer next to the air, lights, hydraulic hook ups.

3. Mark holes from plug mounting bracket and drill 5/16th holes. Mount plug plate.

4. Take wire from arm, place rubber boot on wire, and then wire into the female plug.

5. Slide plug into mounting plate and fasten with (Bolt #).

6. Use provided wire clamp to fasten arm wire in a secure location to avoid wires being pulled from plug.



Mount bracket in one of these two places marked by arrows.



**SIoux CITY TARP, Inc**

Sioux City Tarp, Inc. 5201 Harbor Drive, Sioux City, IA 51111  
712-258-6939 SALES@SIouxCITYTARP.COM WWW.SIouxCITYTARP.COM

*Smooth Roll Xtreme Covered By Patent: 8,272,676*